

Product Features

- *Low cost, OEM applications*
- *Standard ranges from 0 to 10,000 PSI*
- *Excellent shock and vibration resistance*
- *2-wire loop powered 4-20mA output*
- *Available with 1/4" NPT connection*
- *Stainless Steel 316 case and wetted components*
- *PVC Extension Cable, 6 ft (2 m) long standard, IP67 Rating*

Description

Intempco PT02 pressure transmitters provide performance and economy for a wide range of OEM applications. They are especially suited to applications subject to severe mechanical shock, vibration, and electromagnetic interference. Typical applications include hydraulics and pneumatics, compressor controls, pump protection, refrigeration and air conditioning systems. The case is also made of stainless steel and is available with environmental protection ratings up to NEMA 7/IP67. The PT02 features an industry standard 2-wire 4-20mA output, 1/4" NPT connection and PVC extension cable 6 ft long as standard.

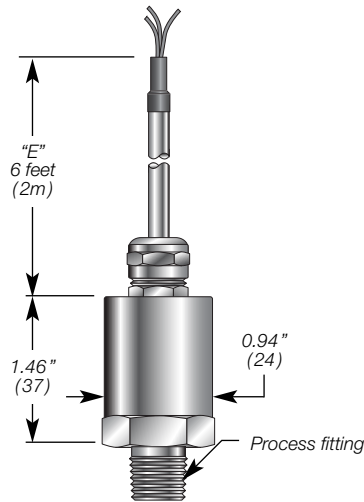
Each transmitter undergoes extensive quality control testing and calibration. The printed circuit boards use state-of-the-art surface mount technology and are potted in silicone gel for protection against mechanical shock, vibration, and moisture. Each transmitter is manufactured to assure accuracy and long term stability when exposed to severe ambient temperature variations.



Technical Specifications

Sensing Principle :	Ceramic
Pressure Ranges :	Standard ranges as listed (custom ranges available)
Process Connection :	1/4" NPT
Material :	
Wetted Parts :	Stainless steel and ceramic
Case :	Stainless steel
Supply voltage :	10 - 30 VDC
Output signal and maximum load :	4-20mA 2-wire system, $RA[Ohm] < (V_{supply} - 10V) / 0.02A$
Response time (10...90%) :	< 10 milliseconds
Accuracy : <i>(linearity, including hysteresis and repeatability)</i>	< 0.5% (0.25% B.F.S.L.) std., < 1.0% (0.50% B.F.S.L.) (Calibrated in vertical mounting position with process connection down)
Repeatability :	< 0.05% of span
Hysteresis :	< 0.1% of span
1 Year Stability :	< 0.2% of span (under reference conditions)
Permissible Temperature of :	Medium : -30°C to +100°C (-22°F to +212°F) Ambient Temp. Range : -40°C to +85°C (-40°F to +185°F) Storage Temp. Range : -40°C to +100°C (-40°F to +212°F)
Compensated Temperature :	-10°C to +80°C (-14°F to +176°F)
Temperature Error :	On Zero Point < 0.5% of span per 10°C (18°F) change On Span < 0.5% of span per 10°C (18°F) change
Electrical Connection :	PVC extension cable, 6 ft (2 m) std.
Weight :	Approximately 6.0 oz (168 gr)/w/6 ft (2 m) of cable
Dimensions :	See drawing
Electrical Protection :	Protected against reverse polarity, short circuit, and overvoltage
Environmental Protection :	IP67 (NEMA 7) with PVC extension cable

Dimensions



Electrical Connection

Type	PVC extension cable
Protection	IP 67 / NEMA 7
Description	Pressure transmitter with PVC extension cable, analog output
Wiring 2-wire 4-20mA	

Legend :

- Power supply
- Load (e.g. display)
- Sig+ Output signal positive
- Sig- Output signal negative
- UB+ Power supply positive
- 0V Power supply negative

Custom Builder

MODEL 1 2 3 4 5 6 7

PT02 - - - - - - -

BOX 1 CODE	Calibrated Pressure Range
BD	0-30 psi
DA	0-50 psi
BE	0-60 psi
BF	0-100 psi
DC	0-150 psi
BG	0-160 psi
BH	0-200 psi
DG	0-250 psi
BI	0-300 psi
BK	0-400 psi
DI	0-500 psi
BL	0-600 psi
DJ	0-750 psi
BN	0-1000 psi
BO	0-1500 psi
BP	0-2000 psi
BQ	0-3000 psi
BS	0-5000 psi
DS	0-8000 psi
P	Custom, Specify min/max in psi
K	Custom, Specify min/max in KPa
M	Custom, Specify min/max in MPa

BOX 2 CODE	Pressure Type
G	Gauge

BOX 3 CODE	Accuracy F.S.
C5	0.50 % of span (0.25 % BFSL), std.
D1	1.0 % of span (0.50 % BFSL)

BOX 4 CODE	Output
LA	4-20 mA, 2-wire
VA	0-5 Vdc, 3-wire

BOX 5 CODE	Process Fitting Type / Size
NB	1/4" NPT male

BOX 6 CODE	Extension Cable Type
PV	PVC insulation, 90°C (195°F) max. ambient

BOX 7 CODE	Extension Cable Length "E"
---	In feet Ex.: 06 = 6 ft (2 m) long std.
Note : In qty 10 pcs and less per order, PT02 is available with a 6ft (2m) cable only.	