

## Product Features

- Low cost, OEM applications
- Standard ranges from 0 to 10,000 PSI
- Excellent shock and vibration resistance
- 2-wire loop powered 4-20mA output
- Available with 1/4" NPT connection
- Stainless Steel 316 case and wetted components
- Mini DIN Hirschmann Connector

## Description

Intempco PT01 pressure transmitters provide performance and economy for a wide range of OEM applications. They are especially suited to applications subject to severe mechanical shock, vibration, and electromagnetic interference. Typical applications include hydraulics and pneumatics, compressor controls, pump protection, refrigeration and air conditioning systems. The case is also made of stainless steel and is available with environmental protection ratings up to NEMA 5/IP65. The PT01 features an industry standard 2-wire 4-20mA output, 1/4" NPT connection and a 4-pin Mini DIN (Hirschmann) connector.

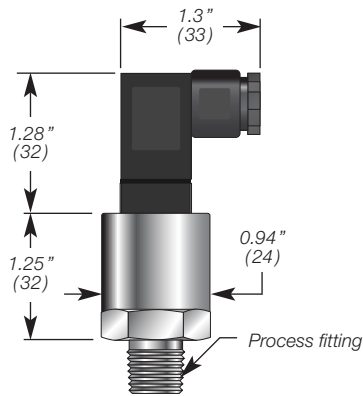
Each transmitter undergoes extensive quality control testing and calibration. The printed circuit boards use state-of-the-art surface mount technology and are potted in silicone gel for protection against mechanical shock, vibration, and moisture. Each transmitter is manufactured to assure accuracy and long term stability when exposed to severe ambient temperature variations.



## Technical Specifications

<b>Sensing Principle :</b>	Ceramic
<b>Pressure Ranges :</b>	Standard ranges as listed (custom ranges available)
<b>Process Connection :</b>	1/4" NPT
<b>Material :</b>	
Wetted Parts :	Stainless steel and ceramic
Case :	Stainless steel
<b>Supply voltage :</b>	10 - 30 VDC
<b>Output signal and maximum load :</b>	4-20mA 2-wire system, $RA[Ohm] < (V_{supply} - 10V) / 0.02A$
<b>Response time (10...90%) :</b>	< 10 milliseconds
<b>Accuracy :</b> <i>(linearity, including hysteresis and repeatability)</i>	< 0.25% (0.12% B.F.S.L.), < 0.5% (0.25% B.F.S.L.) std., < 1.0% (0.50% B.F.S.L.) (Calibrated in vertical mounting position with process connection down)
<b>Repeatability :</b>	< 0.05% of span
<b>Hysteresis :</b>	< 0.1% of span
<b>1 Year Stability :</b>	< 0.2% of span (under reference conditions)
<b>Permissible Temperature of :</b>	Medium : -30°C to +100°C (-22°F to +212°F) Ambient Temp. Range : -40°C to +85°C (-40°F to +185°F) Storage Temp. Range : -40°C to +100°C (-40°F to +212°F)
<b>Compensated Temperature :</b>	-10°C to +80°C (-14°F to +176°F)
<b>Temperature Error :</b>	On Zero Point < 0.5% of span per 10°C (18°F) change On Span < 0.5% of span per 10°C (18°F) change
<b>Electrical Connection :</b>	4-pin MiniDIN 43 650C (Mini Hirschmann)
<b>Weight :</b>	Approximately 3.2 oz (90 gr)
<b>Dimensions :</b>	See drawing
<b>Electrical Protection :</b>	Protected against reverse polarity, short circuit, and overvoltage
<b>Environmental Protection :</b>	IP65 (NEMA 5) with 4-pin Mini DIN

## Dimensions



## Electrical Connection

<b>Type</b>	Mini DIN-Hirschmann connector
<b>Protection</b>	IP 65 / NEMA 5
<b>Description</b>	Pressure transmitter with Mini-Hirschmann and mating connector, analog output
<b>Wiring</b> 2-wire 4-20mA	

**Legend :**

- Power supply
- Load (e.g. display)
- Sig+ Output signal positive
- Sig- Output signal negative
- UB+ Power supply positive
- 0V Power supply negative

## Custom Builder

MODEL      1      2      3      4

**PT01** -  -  -  -

BOX1 CODE	Calibrated Pressure Range
BD	0-30 psi
DA	0-50 psi
BE	0-60 psi
BF	0-100 psi
DC	0-150 psi
BG	0-160 psi
BH	0-200 psi
DG	0-250 psi
BI	0-300 psi
BK	0-400 psi
DI	0-500 psi
BL	0-600 psi
DJ	0-750 psi
BN	0-1000 psi
BO	0-1500 psi
BP	0-2000 psi
BQ	0-3000 psi
BS	0-5000 psi
DS	0-8000 psi
P	Custom, Specify min/max in psi
K	Custom, Specify min/max in KPa
M	Custom, Specify min/max in MPa

BOX2 CODE	Pressure Type
<b>G</b>	Gauge

BOX4 CODE	Process Fitting Type / Size
<b>NB</b>	1/4" NPT male

BOX3 CODE	Accuracy F.S.
<b>C5</b>	0.50 % of span (0.25 % BFSL), std.
<b>D1</b>	1.0 % of span (0.50 % BFSL)